

Plug-in current transformers ASK51.4

All ASK51.4 models available with 1Amp or 5Amp secondaries.

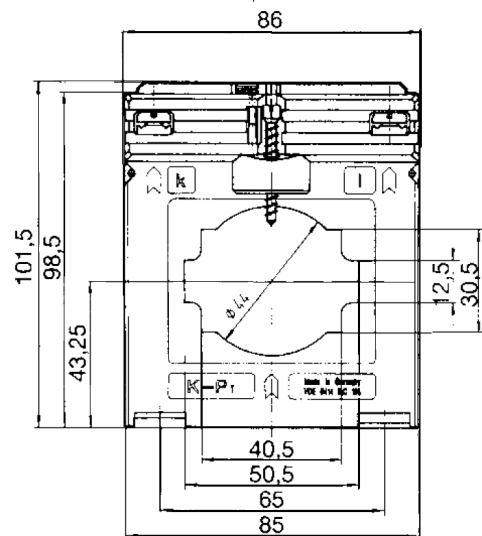
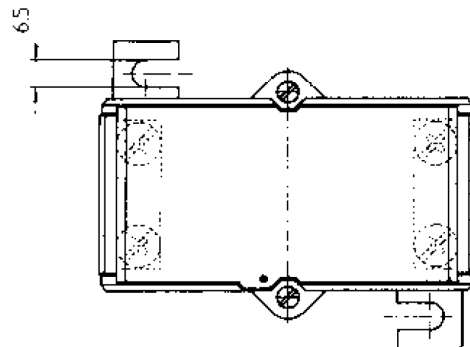
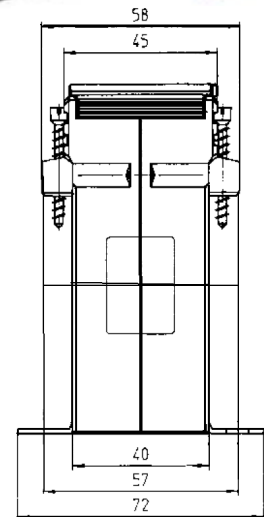
Technical specifications

Primary conductor	50 x 12 mm
50 x 12 mm, Ø 44 mm	2 x 40 x 10 mm
Round conductor	Ø 44,0 mm
Transformer width	85mm
Class	1 (Class 0.5 and 0.2 on request)

Types

- Current transformer ASK51.4 100/5A, Class 1, 2.5VA
 - Current transformer ASK51.4 150/5A, Class 1, 2.5VA
 - Current transformer ASK51.4 200/5A, Class 1, 5VA
 - Current transformer ASK51.4 250/5A, Class 1, 10VA
 - Current transformer ASK51.4 300/5A, Class 1, 10VA
 - Current transformer ASK51.4 400/5A, Class 1, 15VA
 - Current transformer ASK51.4 500/5A, Class 1, 15VA
 - Current transformer ASK51.4 600/5A, Class 1, 15VA
 - Current transformer ASK51.4 750/5A, Class 1, 15VA
 - Current transformer ASK51.4 800/5A, Class 1, 15VA
 - Current transformer ASK51.4 1000/5A, Class 1, 30VA
 - Current transformer ASK51.4 1200/5A, Class 1, 30VA
- Snap-on mounting for DIN Rail

Some of the above ratios available as Class 0.5 & Class 0.2 to special order, please consult sales office for information.



Subject to change without notice
5 January 2010, SK