

The multifunctional 3-phase Energy Meter EMU32.x7 for direct connection (63A).

Price per kWh can be programmed by two buttons. Total costs are shown for tariff 1 and tariff 2.

Two S0 impulse outputs for Active Energy and Reactive Energy with 10 Impulses per kWh resp. kvarh are standard.

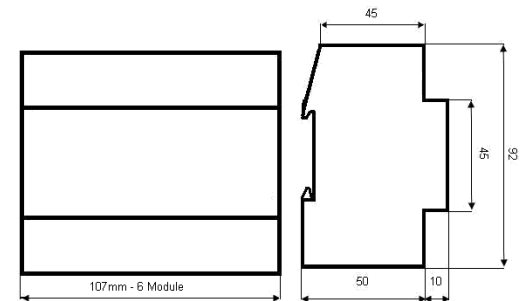
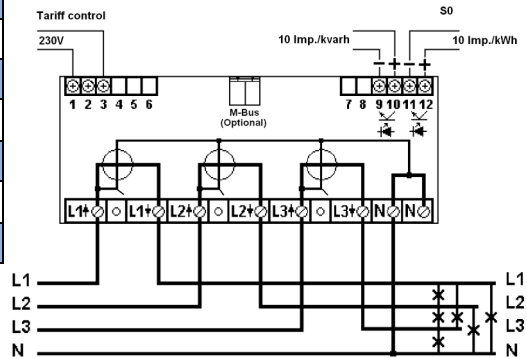
Display data, 6 digits + 1 decimal position

| | Σ | per Phase | Tariff 1 | Tariff 2 |
|-------------------------------|---|-----------|----------|----------|
| Active energy (kWh) | | | • | • |
| Price per kWh | | | • | • |
| Total Cost | • | | • | • |
| Apparent energy (kVAh) | • | • | • | • |
| Reactive energy (kvarh) | | | • | • |
| Active power (W) | • | • | | |
| Current (A) | • | • | | |
| Voltage (V) L-N | | • | | |
| Reactive power (kvar) | • | • | | |
| Apparent power (kVA) | • | • | | |
| Netfrequency (Hz) | • | | | |
| Power factor (CosPhi) | | • | | |
| Active powers-Max. | | | • | • |
| Running Max. Active powers | • | | | |
| Measuring period in Minutes * | • | | | |

* Measuring period is adjustable, 5, 10, 15, 30, 60 Min.

Technical data:

- Direct connection up to 63A
- Nominal voltage Un: 3 x 230/400 VAC +/- 20%
3 x 127/220 VAC +/- 20%
3 x 63 / 110 VAC +/- 20%
- Nominal (Maximum) Current: 5 (63)A
- Measuring range: 0.025 to 63A
- Starting current <25mA
- Operating net frequency: 45 - 65Hz
- Meter burden: <0.8 W / Phase
- Accuracy class 2 according EN 62053-21
- Operating Temperature range:- 10°C to +50°C
- Tariff control: 230VAC,
Tariff 2 aktive = Voltage applied
- Weight: 320g
- In conformity with CE and IEC1036
- Installation: DIN BAR 35mm according EN60715
- S0 Impulse output: 10 Imp. / kWh, Ti = 120ms
- S0 Impulse output: 10 Imp. / kvarh, Ti = 120ms
- Approvals: PTB (Germany)



M-Bus Read-out data:

- Active energy Tariff1 (Wh)
- Active energy Tariff 2 (Wh)
- Reactive energy Tariff 1 (varh)
- Reactive energy Tariff 2 (varh)
- Instant. Current (A) per phase
- Instant. Voltage (V) per phase
- Instant. Active power (W) per phase
- Instant. Reactive power (var) per phase
- Instant. Power factor (Cos-Phi) per phase
- Instant. Netfrequency (Hz)
- 15min Max. Active power Tarif 1 (W)
- 15min Max. Active power Tarif 2 (W)
- Number of power failures
- Operating hours

Subject to change without notice
21 May 2010, SK

Optional read-out interface:

   , RS485 according IEC 61107

EIB Read-out data:

- Active energy Tarif 1 (Wh)
- Active energy Tarif 2 (Wh)
- Instant. Active power Phase L1 (W)
- Instant. Active power Phase L2 (W)
- Instant. Active power Phase L3 (W)