

Qualität, die zählt



3-phase Energy Meter with MID B and D

EMU Electronic AG

Jöchlerweg 4 | CH-6340 Baar | Switzerland | Telefon +41 (0) 41 811 02 20 | Fax +41 (0) 41 811 02 21 | info@emuag.ch

EMU Light 3/65 ST – Single Tariff EMU Light 3/65 DT – Double Tariff

Technical data:

- Direct connection
- Maximum current I_{max} : 63A
- Nominal voltage U_n : 3x230/400V
- Own consumption: <0.7 W / Phase
- Start-up current: <15mA
- Nominal frequency f_n : 50Hz
- Operating frequency: 45 – 55 Hz
- In conformity with CE
- In conformity with IEC 1036
- Accuracy class: 1
- Accuracy class: B according EN 50470-1 (MID)
- Operating Temperature range: - 25°C to +50°C
- Maximum range of measurement: 15mA to 63A
- Weight: ca. 320g
- Torque: 2 to 3 Nm
- Terminal: 7 x 8mm
- Terminal Tariff control: 2.5 x 3mm
- Terminal S0 Impulse: 2.5 x 3mm
- Humidity: Without condensation
- Operation position: Discretionary
- Installation: DIN BAR 35mm according EN60715
- Tariff control: 230VAC
- Tariff 2 = Voltage applied
- Option [M-Bus](#)

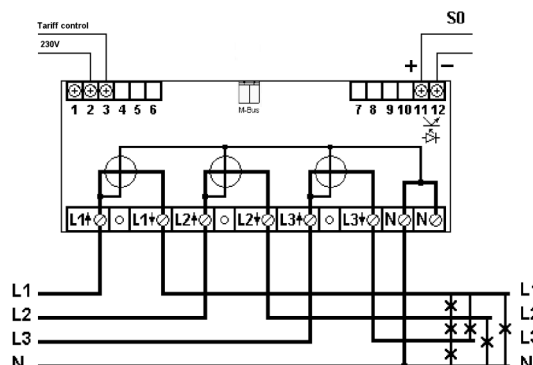


MID Approval

- The Energy Meter Series «EMU Light» is approved by MID Module B + D.
- The EMU Light is calibrated and certified ex factory.
- The EMU Light can be used for invoicing ex factory.

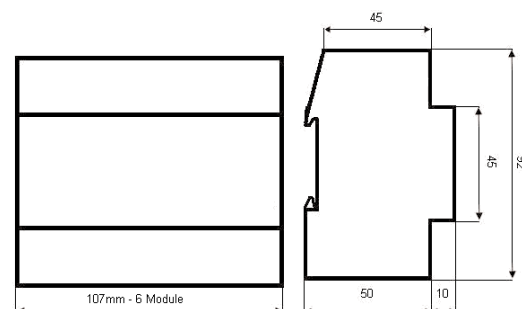
Display

- Rolling kWh LCD display
- Digit dimension: 4 x 8mm
- 7 digits, one decimal position 000000.0 kWh
- A barchart is always displayed, giving an indication of the size of the instantaneous power
- Wrong connection of wires to EMU Light is indicated on display
- Data rotation on display every 8 second



S0 Impulse output

- According EN 62053-31
- Impulse width: 40ms
- Impulse number: 1'000 Imp/kWh
- Supply voltage minimal: 18VDC
- Supply voltage maximum: 30VDC
- Current: 5 - 15mA
- Other impulse number / width on request



Subject to modifications and amendments.

EMU Light 3/5 ST – Single Tariff EMU Light 3/5 DT – Double Tariff

Technical data

- Current Transformer Connection /5A
- Maximum current I_{max}: 6A
- Nominal voltage U_n: 3x230/400V
- Own consumption: <0.7 W / Phase
- Start-up current: <5mA
- Nominal frequency f_n: 50Hz
- Operating frequency: 45 – 55 Hz
- In conformity with CE
- In conformity with IEC 1036
- Accuracy class: 1
- Accuracy class: B according EN 50470-1 (MID)
- Operating Temperature range: - 25°C to +50°C
- Maximum range of measurement: 5mA to 6A
- Weight: ca. 320g
- Torque: 1 Nm
- Terminal: 4 x 6mm
- Terminal Tariff control: 2.5 x 3mm
- Terminal S0 Impulse: 2.5 x 3mm
- Humidity: Without condensation
- Operation position: Discretionary
- Installation: DIN BAR 35mm according EN60715
- Tariff control: 230VAC
- Option: [M-Bus](#)



CT Factor

The CT Factor can be adjusted by EMU Elektronik in Switzerland. If the CT Factor is unknown, EMU Elektronik will adjust the CT Factor 5/5A.

MID Approval

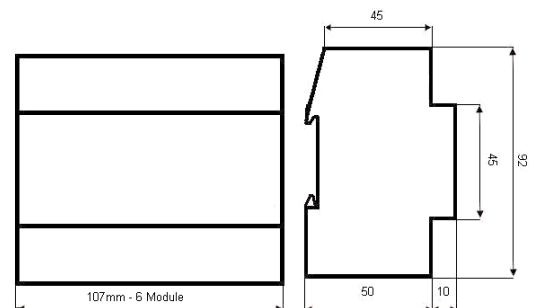
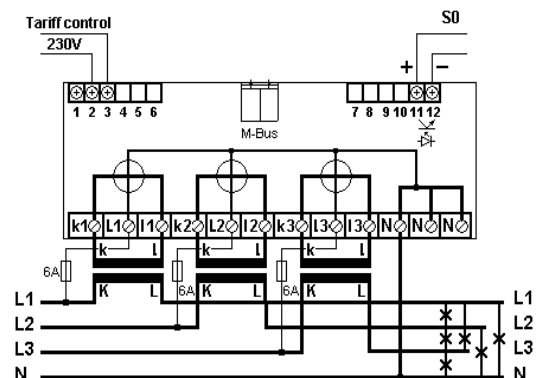
- The Energy Meter Series «EMU Light» is approved by MID Module B + D.
- The EMU Light is calibrated and certified ex factory.
- The EMU Light can be used for invoicing ex factory.

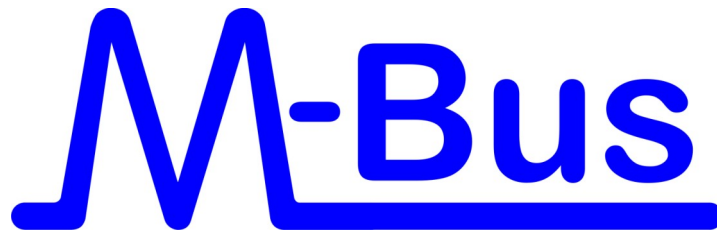
Display

- Rolling kWh LCD display
- Digit dimension: 4 x 8mm
- 7 digits, one decimal position 000000.0 kWh
- A barchart is always displayed, giving an indication of the size of the instantaneous power
- Wrong connection of wires to EMU Light is indicated on display
- Data rotation on display every 8 second.

S0 Impulse output

- According EN 62053-31
- Impulse width: 40ms
- Impulse number: 1'000 Imp/kWh
- Supply voltage minimal: 18VDC
- Supply voltage maximum: 30VDC
- Current: 5 - 15mA
- Other impulse number / width on request





Optional for series EMU Light

- According EN1434
- Baudrate: Adjustable via M-Bus
- Wiring by twisted two-wire line YCYM or J-Y(St)Y 2 x 2 x 0,8 mm.
- Pluggable terminal on EMU Light.
- The maximum distance between master and slave / repeater, depending on the bus, cable cross-section and the baud rate, between 350m and 10km
- Any network structure possible.

Rad out data

Active Energy (kWh) Tariff 1

Active Energy (kWh) Tariff 2 (DT)

Active Energy (kWh) Supply Tariff 1 (2Q ST)

Active Energy (kWh) Supply Tariff 2 (2Q DT)

Instant Active Power (W) Phase 1

Instant Active Power (W) Phase 2

Instant Active Power (W) Phase 3

Instant Active Power (W) total

Instant Voltage (V) Phase 1

Instant Voltage (V) Phase 2

Instant Voltage (V) Phase 3

Instant Current (A) Phase 1

Instant Current (A) Phase 2

Instant Current (A) Phase 3

Instant Current (A) total

Instant Power Factor (Cos Phi) Phase 1

Instant Power Factor (Cos Phi) Phase 2

Instant Power Factor (Cos Phi) Phase 3

15min Maximum Current (A) Phase 1

15min Maximum Current (A) Phase 2

15min Maximum Current (A) Phase 3

15min Maximum Power (W) Phase 1

15min Maximum Power (W) Phase 2

15min Maximum Power (W) Phase 3

Number of Power Supply Failures

CT Factor (EMU Light 3/5)

Constant S0 (Imp/kWh)

Qualität, die zählt



EMU Electronic AG

Jöchlerweg 4 | CH-6340 Baar | Switzerland | Telefon +41 (0) 41 811 02 20 | Fax +41 (0) 41 811 02 21 | info@emuag.ch