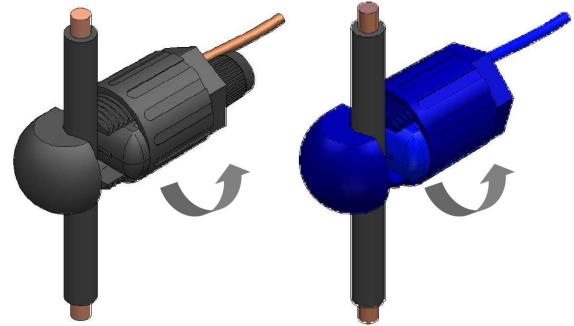


## Voltage tap UAD16

In existing installations there is rarely a fused terminal available for measurement purposes. This unique tapping clamp allows you to tap a fused voltage from an insulated wire for measurement using one hand and without the need for additional tools. The fuse is mounted directly on the primary conductor, which results in an optimum degree of safety. This unique product is a breakthrough for fast and safe measurement in existing installations.

### Advantages

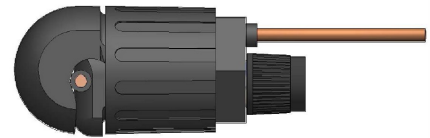
- Safe tapping of voltage kWh-meters purposes
- No tools needed
- Including 5x25mm, 2A fuse
- For insulated 10-16 mm<sup>2</sup> conductors, stranded and solid



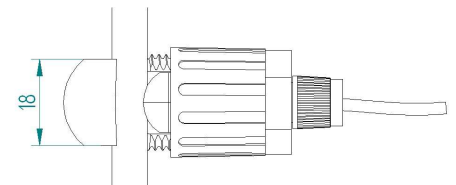
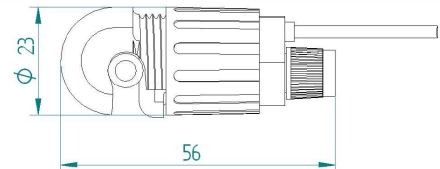
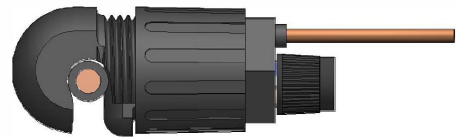
### Technical specifications

Max. Voltage	400V
Max. Current	2A
Fuse for UAD16Z	5x25mm, 2A
Short circuit current	6kA / 400V / 50Hz
Protection degree	IP 20
Torque	0.8/2.0 Nm

4 mm<sup>2</sup>



16 mm<sup>2</sup>



### Part number

UAD16Z with 2A fuse	942320
UAD16N without fuse	942321
Set for 3-phase kWh-meter 3x UAD16Z + 1x UAD16N	942322

Specifications subject to change without notice.  
26 April 2011, SK